

Accessories

RG DIN Clip



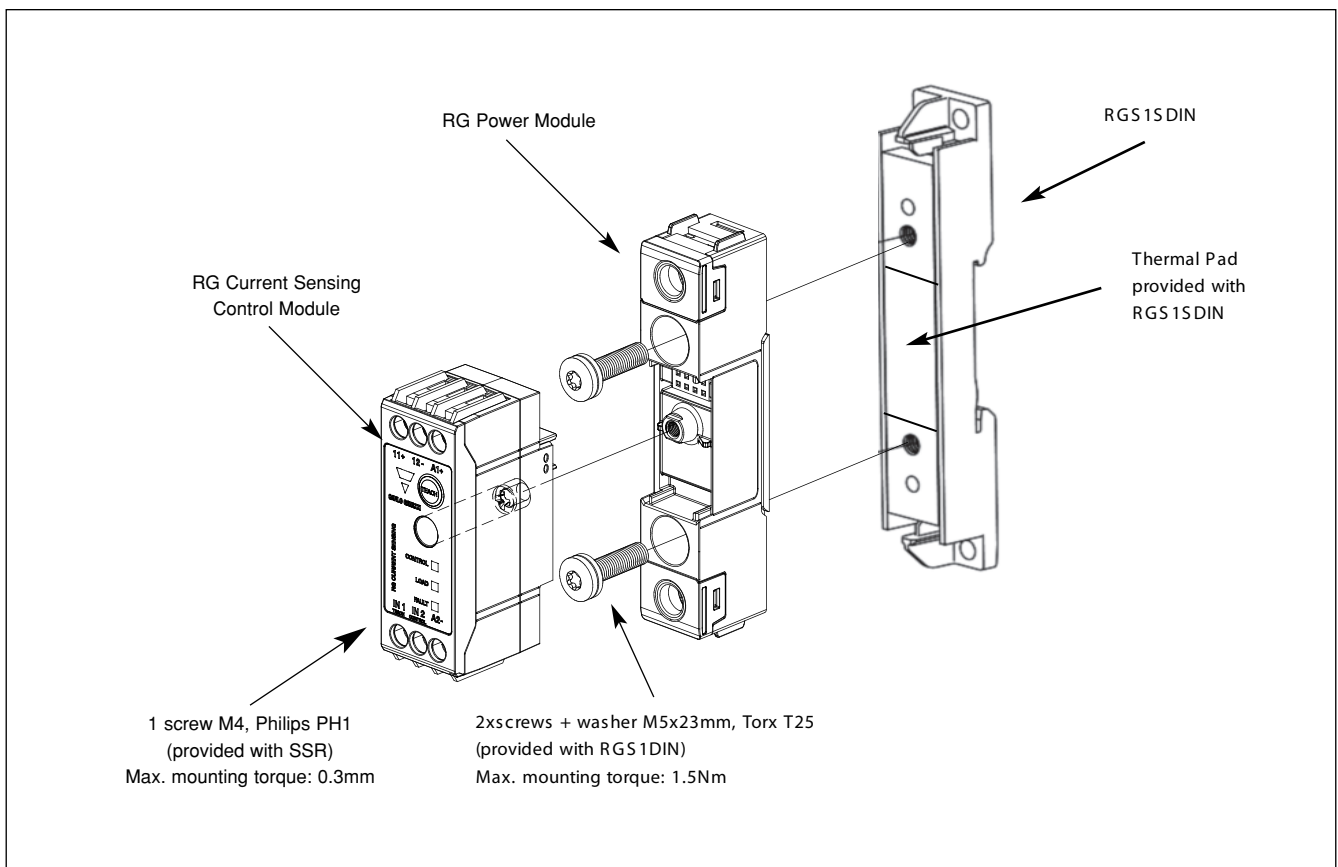
Ordering Key

DIN clip accessory

RGS1DIN

This DIN Clip accessory can be mounted to any RGS model and will enable the RGS to be DIN rail mount. Current rating @ 40°C is 10AAC. Refer to 'Current Derating' section for Space Derating.

Mounting Instructions for RGS1DIN to RGS

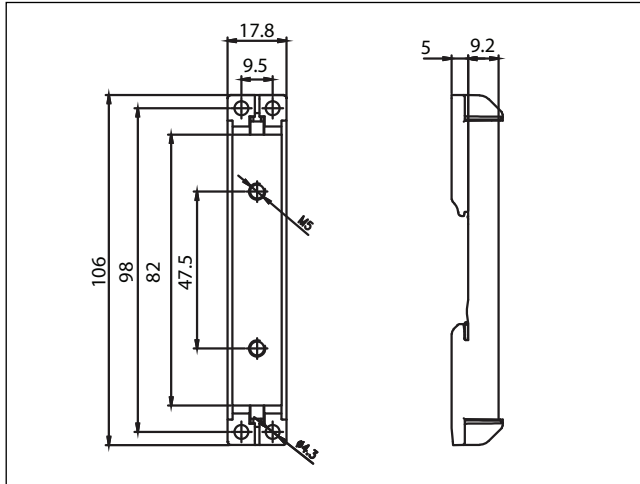


The RG Power Module is gradually tightened (alternating between the 2 screws) to a maximum torque of 1.5Nm.

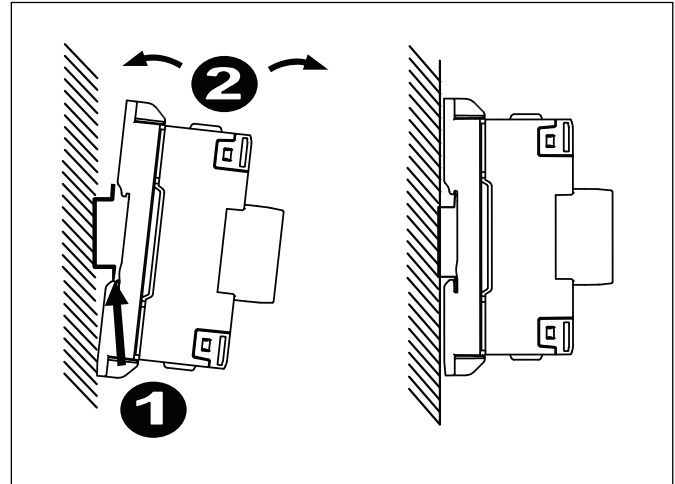
Once the power module is tightened to the RGS1DIN, the control module can be mounted on top of the power module and screwed with a torque of 0.3Nm to ensure good contact between the 2 units.

Accessories (cont.)

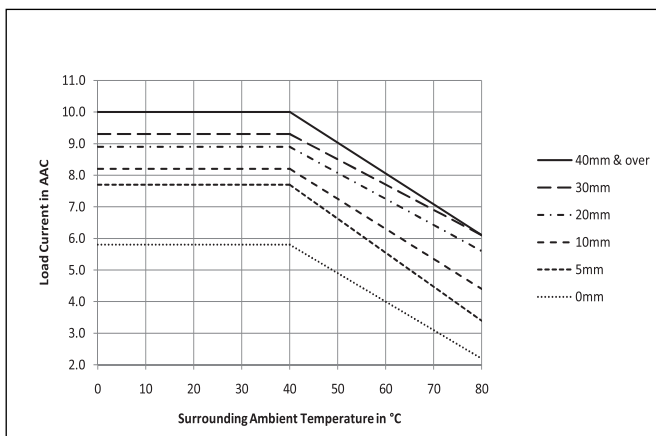
RGS1DIN Dimensions



Installation Instructions



Current Derating (RGS1S + RGS1DIN)



Accessories (cont.)

Heatsink RHS37A



Ordering Key

Heatsink with DIN rail clip

RHS37A

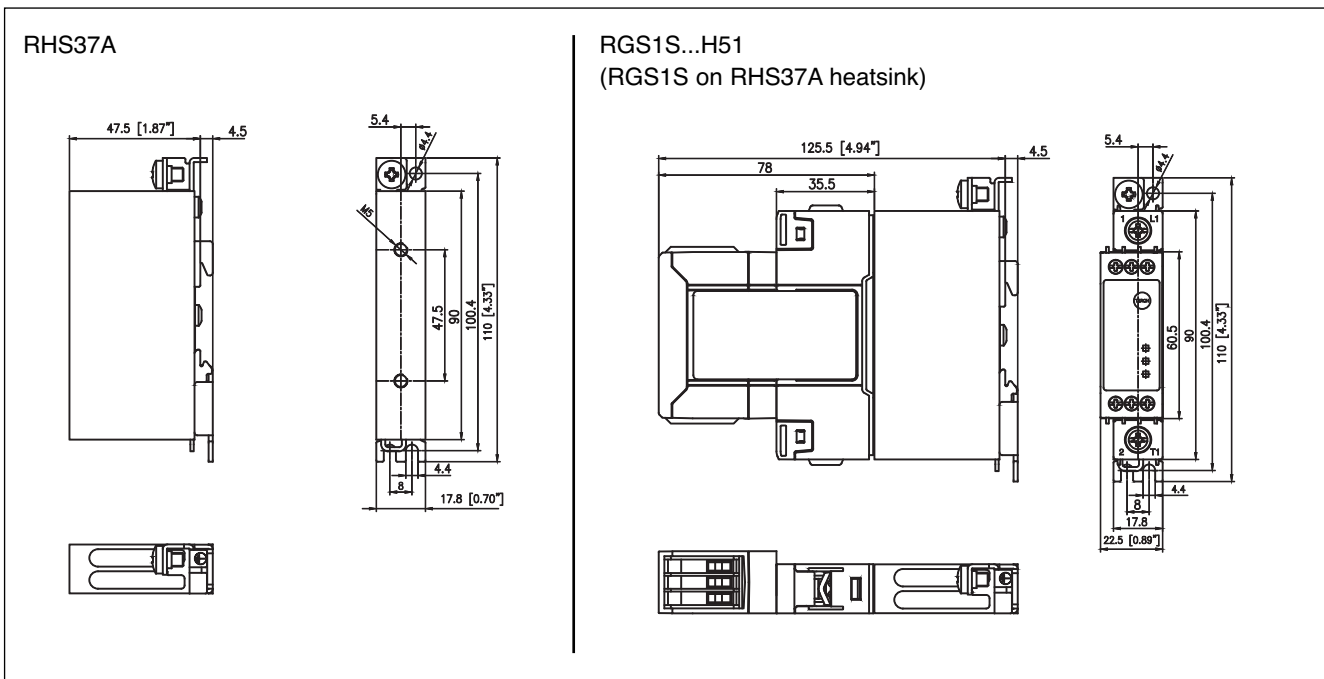
Factory mounted heatsink to RGS

RGS...H51

RGS1S60D20GKEP + RHS37A = RGS1S60D20GKEPH51

RGS1S60D31GKEP + RHS37A = RGS1S60D31GKEPH51

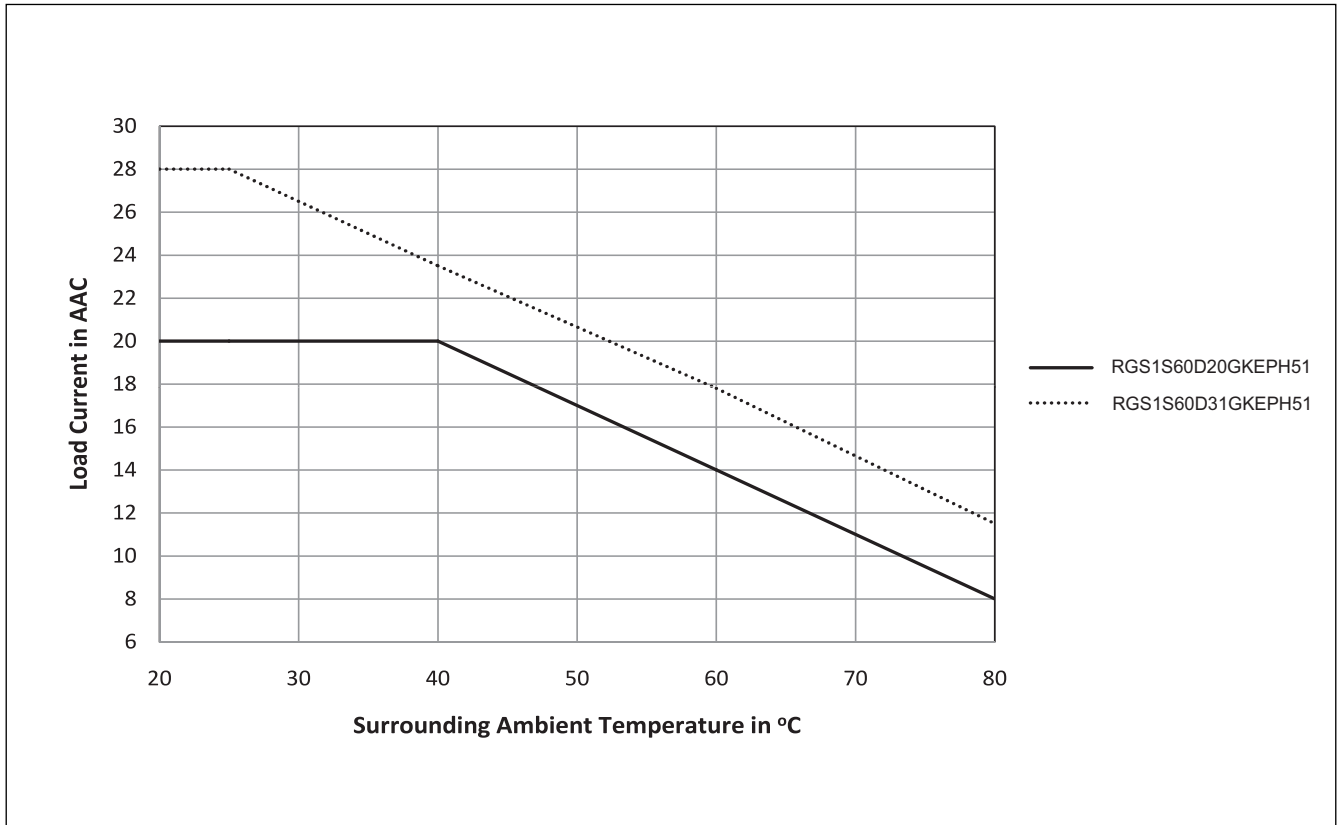
Dimensions



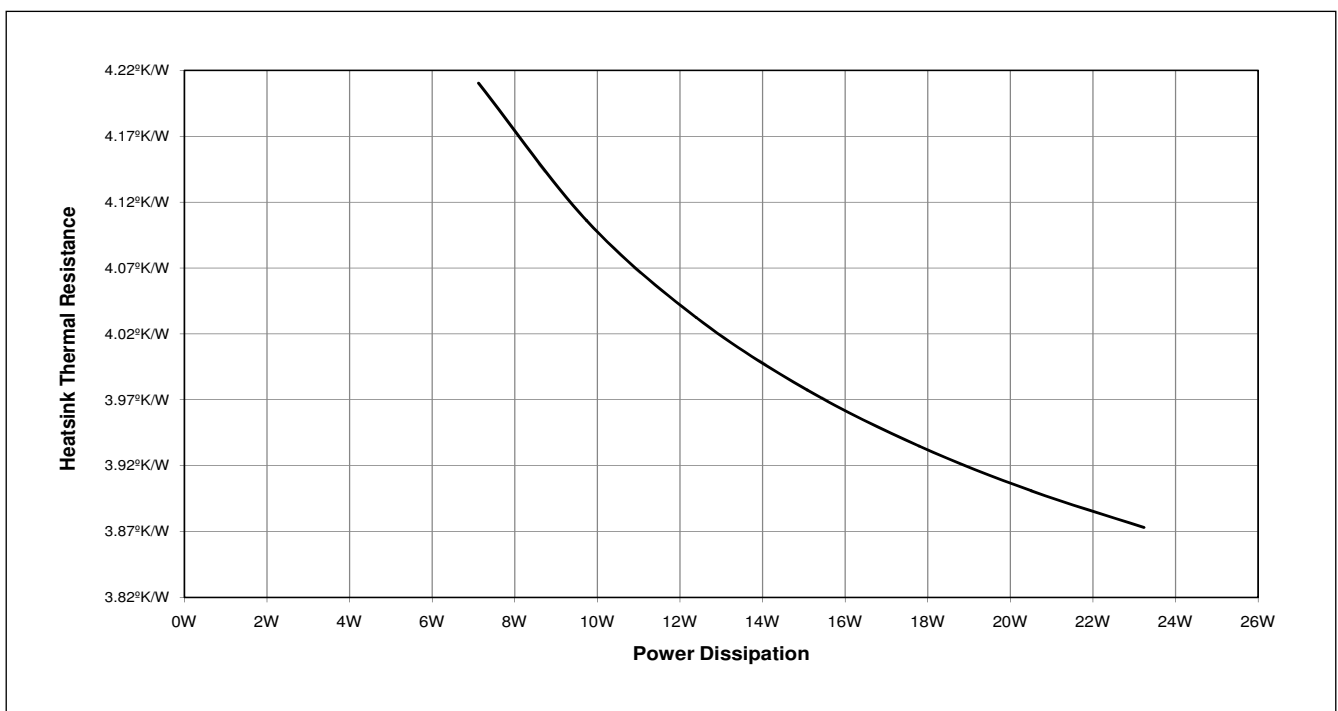
All dimensions in mm

Accessories (cont.)

Derating Curves (RGS1S assembled to heatsink RHS37A)



RHS37A Thermal Resistance Curve



Accessories (cont.)

Thermal Pads



Ordering Key

Thermal pad
mounted on RGS

RGS...HT

Pack of 10 thermal pads
size 34.6 x 14mm

RGHT